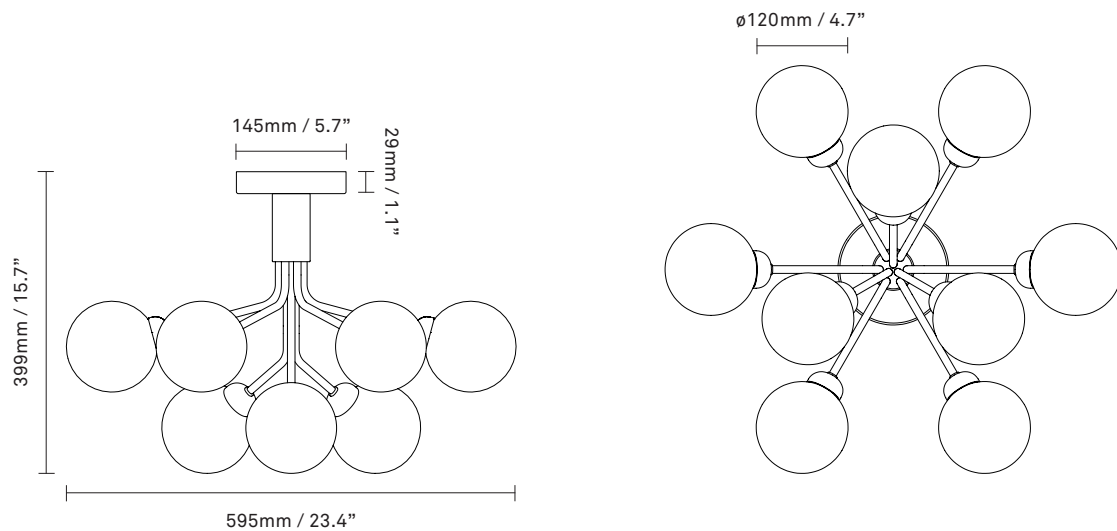


NUURA



APIALES 9 CEILING
brushed brass / opal

Design: Sofie Refer, 2019



Apiales 9 Ceiling is a semi-flush mount chandelier from Nuura, and is inspired by wildflowers.

Explore the rest of the **Apiales collection** on our website, [here](#)

Product no.: EU - 2059002 / US - 3059002

Type: Ceiling light - indoor

Colour: Glass: opal white / Metal: brushed brass

Materials: Anodized metal, mouth-blown glass

Dimensions: W: 595mm / 23.4in x H: 399mm / 15.7in
Ceiling plate: D145 mm / 5.7in
Glass: \varnothing 120mm / 4.7in

Weight: Armature + glass: 3990 g

Packaging: Dimensions: L: 515mm x W: 515mm
x H: 465mm
Weight: 2680g
Total weight incl. product: 6670g
Number of parcels: 1
Material: Brown cardboard.

Certifications: CE, ETL, IP20, Class I

For information about IP ratings, click [here](#)

Cleaning: Use a soft dry cloth to clean the product.
Do not use household cleaners.

Light source: Socket: G9
Max wattage: 5W LED
Voltage (V): 220-240V / 120V

See recommended light source [here](#)

Light source not included

Dimmable if installed with appropriate dimmable LED light source(s) suitable for your dimmer circuit.

Light source can be added to delivery on request or via our webshop [nuura.com](#).

Works with appropriate lighting control module. Module can be added to delivery on request.

Find our recommendations [here](#)